



TECHNOLOGY BLUEPRINT

PLUS CRUSH SDN BHD: CRACKING MACHINE

Faculty : Applied science
Programme : AS201
Programme code : 2B2
Course : Bachelor of Science (Hons.) Biology
Course code : ENT600
Semester : 2
Name : Muhammad Imtihan Bin Ismail

Submitted to

Madam Nur Syahira Abd Latif

Submission Date

11th June 2020

Contents

1.0 Executive Summary	3
2.0 Product description	3
2.1 Product detail.....	3
2.2 Product application.....	3
2.3 Unique features	4
2.4 Product state of development	4
2.6 Expansion of the product line.....	5
3.0 Technology Description.....	5
4.0 Market Research and Analysis.....	6
4.1 Customers.....	6
4.1.1 Market Segmentation.....	6
4.2 Market Size and Trends.....	6
4.3 Competition and Competitive Edges.....	7
4.4 Estimated Market Share and Sales.	8
4.4.1 Analysis Market Share Before Involvement.	8
4.4.2 Analysis Market Share After Involvement	8
4.4.3 Market share for 3 years	9
4.5 Marketing Strategy	9
5.0 Management Team.....	10
5.1 Organisation	10
5.2 Key Management Personal.....	10
5.3 Management Compensation and Ownership.....	12
5.4 Supporting Professional Advisors and Services	13

1.0 Executive Summary

The business that we created is based on our innovation and the product is Kuaci Cracker Machine. This product give benefit to people who used when eating the sunflower seed. The benefit of the product is can save the time for open the sunflower seed. The machine also come with led light so that the user can see the machine even in the dark. The machine also come with protection so the user will not be being injured when operating the machine. The machine can be used at anywhere because it come with battery so that the user can charged and used it when needed. Kuaci Cracker Machine is unique because the design that we created will make the user like to use it. The Kuaci Craker machine also light and durable that make the toughness of the machine is high. The machine also can be user friendly because we provided simple instruction to operate the machine. The user can be man or woman because it is no complicated to use the product. The people who want these product need to order through official website or they can get the product direct from our company. Our business will become more developed in the future so that we can attract more people to buy our product.

2.0 Product description

2.1 Product detail

The product that we will sell is sunflower seed cracking machine. The main component in our product is motor. The function of motor will spin the blade and will crushed the sunflower seed. The blade used in our product is stainless steel, so the rusting process did not happen. The machine can crush the sunflower seed easily because we used high technology of dc motor. At the end of the process, we put the container so that the shell of sunflower seed will drop in the container. The product is friendly user because all people can easily use this machine without being harmed. The product also has cover protection, so that the user will not be injured during using the machine.

2.2 Product application

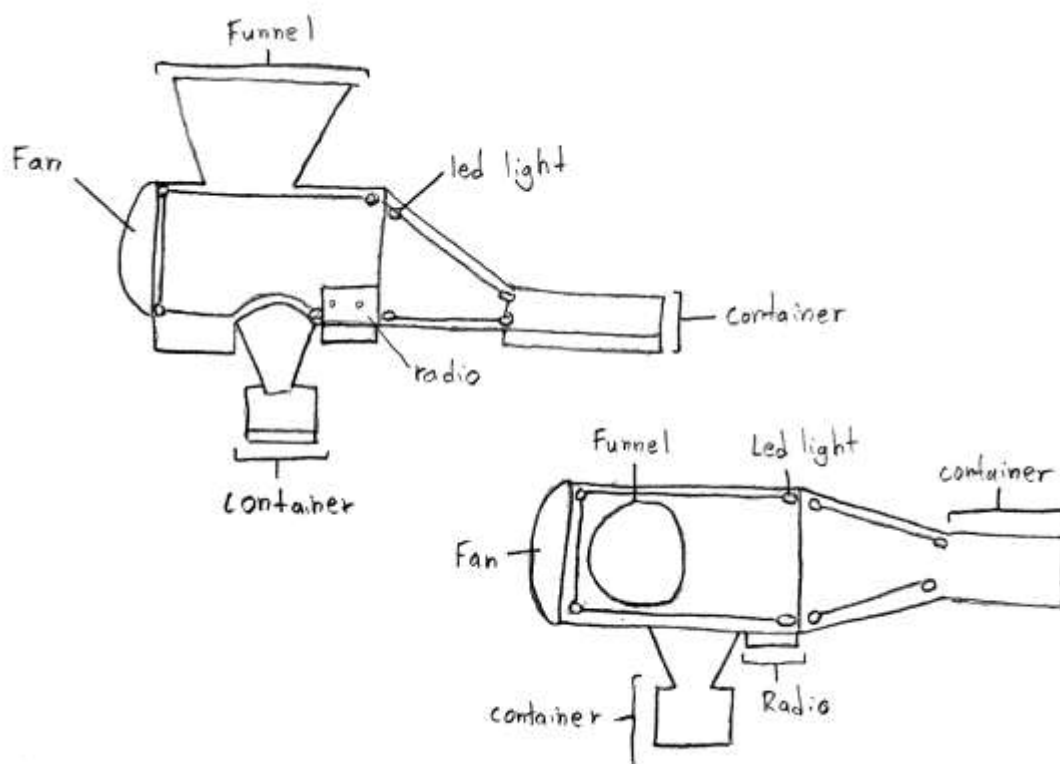
The product is created for person who are lazy to peel the sunflower seed. The main function of this product is to peel the sunflower seed. This machine is faster compared by using hand to peel the sunflower seed. Thus, it will save the time because the machine is fully automatic. The user just need to pour the sunflower seed into the flask at the top of the machine. The secondary function is the machine will keep all the waste of the sunflower seed. The container is attached at the end of the machine to collect the waste of the sunflower seed. The user can easily throw the shell after the shell full filled the container.

2.3 Unique features

The machine also have the unique features to increase the excitement of the user while using the machine. The high technology of radio is attached at the bottom of the machine. The button of the radio will be on the side of the machine. The user can listen to any music while using the machine. The machine also come with led light to ensure the user can used in where there is no light in the room. The colour of led light can be customized by the user. The colour for led light is the colour in the rainbow. The user can choose it with their taste preferences.

2.4 Product state of development

The research of the product is not fully complete. The more research is needed to complete the machine. Below is the machine diagram of the product. The product need to be test more such as how long the motor can survive while nonstop operating and how long the blade stay sharpen without being blunted.



Total cost per unit

- Led light – RM 1.20 x 12pcs
- AC motor – RM 8.00
- Radio – RM 10.00
- Stainless steel body – Rm 20.00
- Switch ON and OFF button – RM 3.00
- Fan – RM 4.00
- Funnel – RM 2.00

2.6 Expansion of the product line.

The machine that we create is only for the sunflower seed. We will get the feedback from our customer to increase our product. We can add other features in our machine such as water resistant. We can upgrade our product into a new one which is it can crush other seed such as ground peanut and pistachio so that the product can attract more people to buy. When the research and development is done, we can build this product for largest scale. The other company can buy our product and they can crush more peanut in short time.

3.0 Technology Description



Temperature detector

The product is attached with the technology because the new technology will develop every single day. This technology can help to make someone life become easier. They can use the technology to manage the time in daily life. Innovation is always occurred in our life so our product can be improved constantly. The product that will produce will be differ with existing product at the market. We include the led light to ensure the product can be used when there is no light. We put the temperature detector and function of temperature detector is to make sure the user can know the limit of usage in a day. This feature will help our product to has a longer shelf life.