

FINAL YEAR PROJECT REPORT

DIPLOMA IN ELECTRICAL (INSTRUMENTATION) ENGINEERING

SCHOOL OF ENGINEERING

MARA INSTITUTE OF TECHNOLOGY

SHAH ALAM, SELANGOR

FLOW CONTROL BY USING AN IBM/PC

BY

JEMAT AK SALLEH

ITM IC : 85572255

SUHAIMI B. CHE MUSTAPHA

ITM IC : 85775244

PROJECT ADVISOR : EN. MUHAMMAD NADZRI B. MOHD. NADZIR.

<u>CONTENT</u>	<u>PAGE</u>
ACKNOWLEDGMENT	i
INTRODUCTION	ii
CHAPTER 1 THE PROBLEM	1
1.1 DIAGRAM OF THE PROCESS	1
1.2 SYMBOLS USED	2
1.3 TIMING DIAGRAM	3
1.4 FLOWCHART OF THE PROCESS	4
1.5 THE PROGRAM	7
1.6 BIT ASSIGNMENT	8
1.7 EXPLANATION OF THE FLOWCHART AND THE PROGRAM	10
1.8 DIAGRAM ON THE COMPUTER SCREEN	14
1.9 THE 8255A CHIP (INSTRUCTION)	15
CHAPTER 2 HARDWARE	16
2.1 SOLENOID VALVE	17
2.2 HEATER	18
2.3 RELAY	18
2.4 EXTERNAL SOURCE	19
2.5 TANK	19
CHAPTER 3 THE INTERFACE	20
3.1 WIRING DIAGRAM (INPUT)	20
3.2 WIRING DIAGRAM (OUTPUT)	21

## ACKNOWLEDGMENT

First and foremost, we would like to thank ALLAH s.w.t for without His permission we would not be able to achieve the objective of this project successfully.

We wish to express our appreciation to En. Nadzri, our project advisor for his advice and encouragement in making this project a success.

We also would like to extend our appreciation to En. Hamdan Ami and the following individual for their guidance and assistant in undertaking this project.

1. En. Mohd. Uzir
2. Pn. Habibah
3. En. Selvanathan
4. Pn. Aishah
5. En. Azahar
6. Pn. Noraini

## INTRODUCTION

This project is suggested by our project supervisor En. Mohd. Nadzri. The title is Flow Control By Using An IBM PC. It consists of three parts, which is :

### 1) Computer Hardware

IBM Personnel Computer is used to output the appropriate control instruction.

### 2) Software

The control program was written in BASIC language.

### 3) Process Hardware

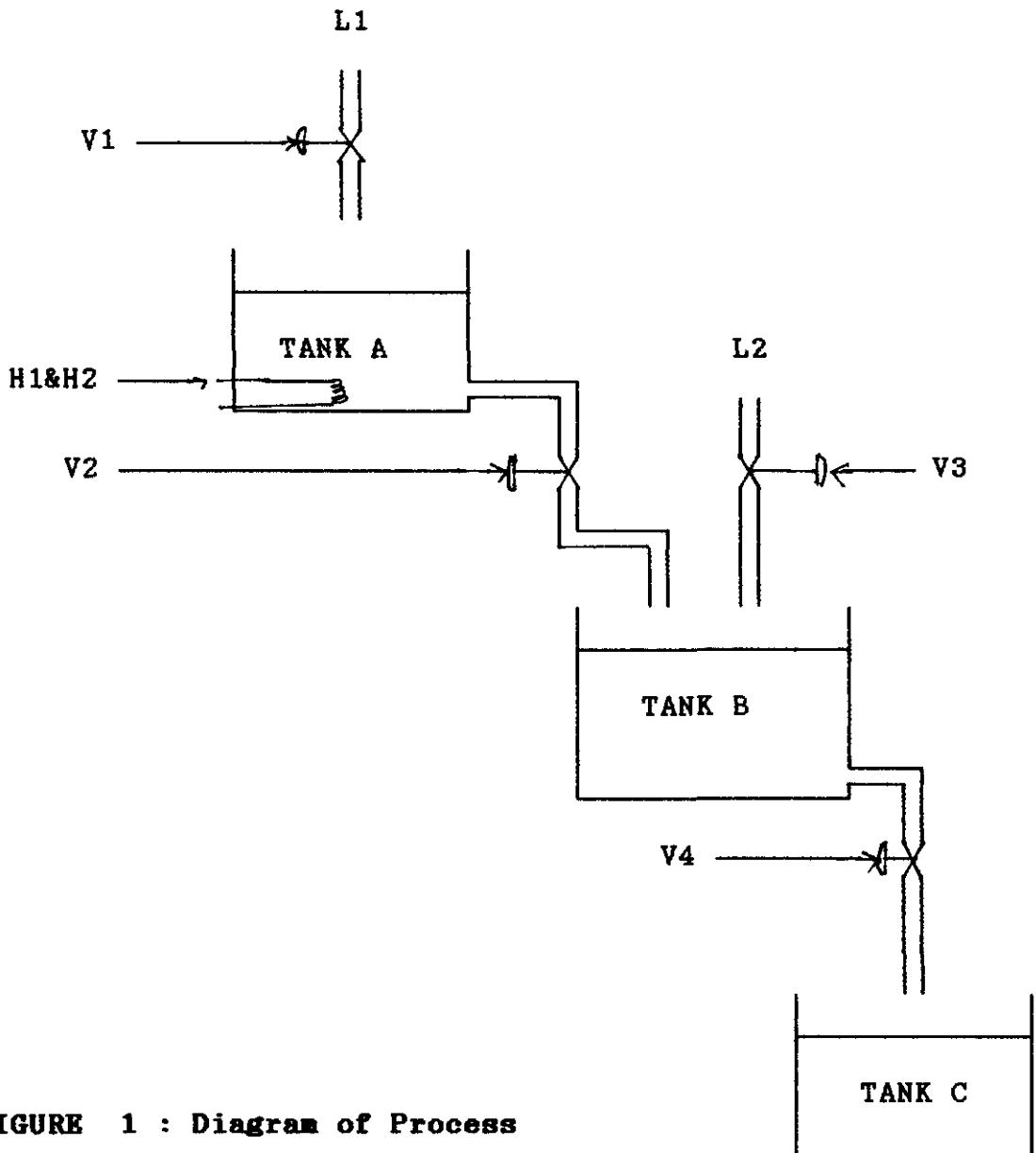
This part consists of tanks, relays, heaters and solenoid valves.

This project is an example of a simple discrete computer control without feedback. The appropriate valves and heaters are turned on and off according to the programmed instruction.

The 8255 Chip (Programmable Input/Output Function) is used to interface the computer and the process and we use delay to set the time for the valves to open or close. There are six output signal from port A and they are used to control the six variables in the process.

# 1. THE PROBLEM

## 1.1 DIAGRAM OF PROCESS



**FIGURE 1 : Diagram of Process**