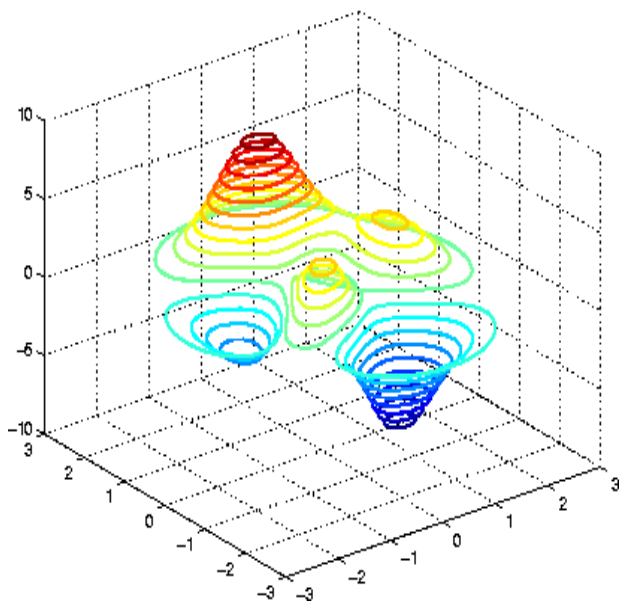
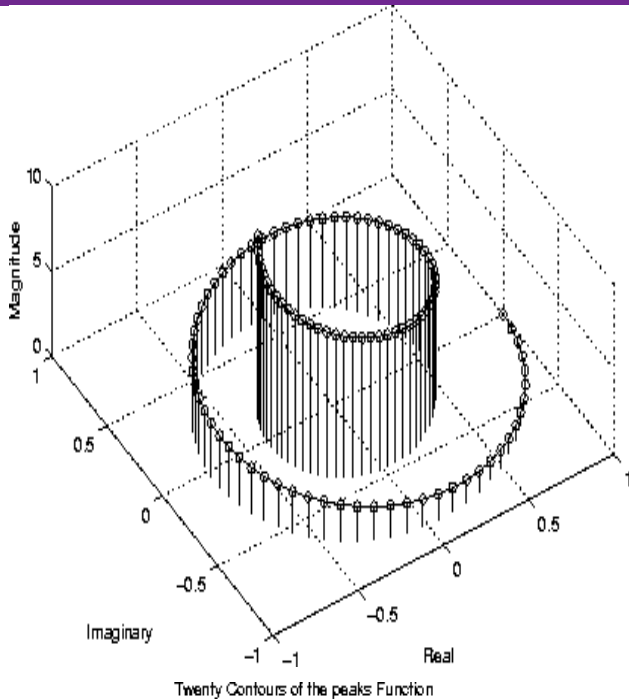


# FURTHER MATHEMATICS FOR SCIENCE AND ENGINEERING

March 1, 2015

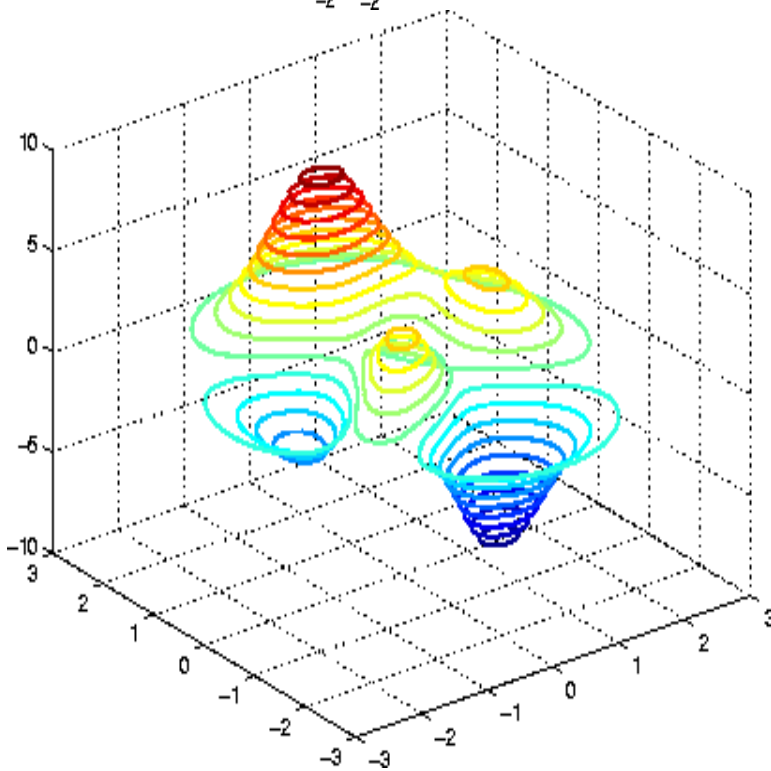
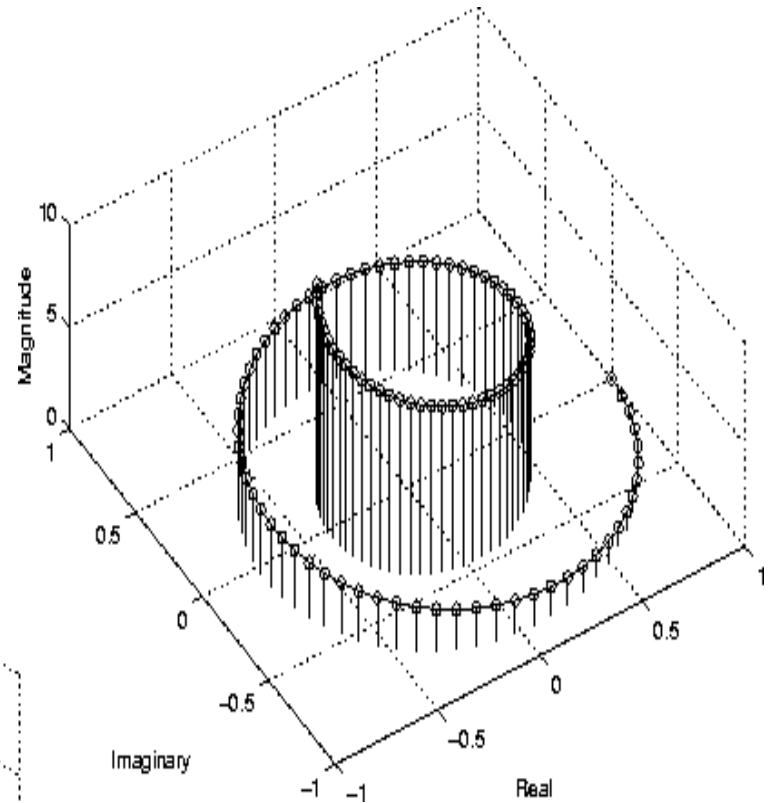
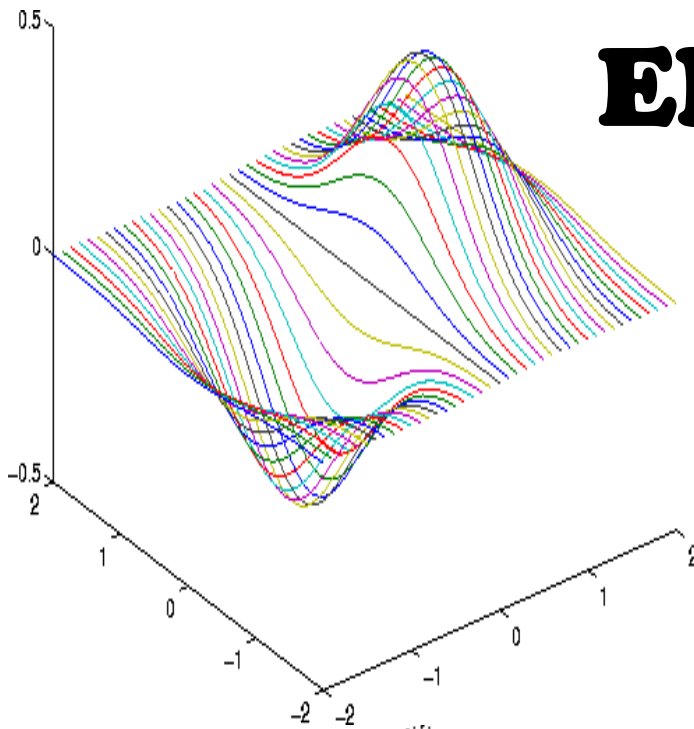
eISBN: 978-967-0841-05-2



Nor Hanim Abd Rahman  
Shakirah Mohd Abd Rahman  
Rafizah Kechil  
Cheng Siak Peng  
Salina Hamed

# FURTHER MATHEMATICS FOR SCIENCE AND ENGINEERING

March 1, 2015



**NOR HANIM ABD RAHMAN  
SHAKIRAH MOHD ABD. RAHMAN  
RAFIZAH KECHIL  
CHENG SIAK PENG  
SALINA HAMED**

## **FURTHER MATHEMATICS FOR SCIENCE & ENGINEERING**

By Nor Hanim Abd Rahman, Shakirah Mohd Abd Rahman, Rafizah Kechil ,  
Cheng Siak Peng and Salina Hamed

**Copyright@2015 by Unit Penulisan dan Penerbitan JSKM**  
Universiti Teknologi MARA (Pulau Pinang)  
13500 Permatang Pauh, Pulau Pinang, Malaysia.  
norhanim@ppinang.uitm.edu.my

**All rights reserved. No parts of this publication may be reproduced or distributed in any form or by any means, or stored in a database or retrieval system, or transmitted in any form or by any means, electronic, mechanical, photocopying or otherwise, without the prior written permission of the publishers.**

eISBN 978-967-0841-05-2

[www.penang.uitm.edu.my](http://www.penang.uitm.edu.my)

# **DEDICATION**

To Our Families, Friends, Colleagues & Students

To Our Parents --

Thanks for your encouragement, love and inspiration.

# CONTENT

CHAPTER 1	- MATRIX ALGEBRA - Exercises	1 - 81
CHAPTER 2	- VECTOR ALGEBRA - Exercises	82 - 118
CHAPTER 3	- POWER SERIES - Exercises	119 - 129

# TUTORIAL

CHAPTER 1	- Tutorial 1	130 - 131
	- Tutorial 2	132 - 133
	- Tutorial 3	134 - 136
	- Tutorial 4	137 - 139
	- Tutorial 5	140 - 140
	- Tutorial 6	141 - 142
CHAPTER 2	- Tutorial 7	143 - 145
	- Tutorial 8	146 - 150
CHAPTER 3	- Tutorial 9	151 - 154