

UNIVERSITI TEKNOLOGI MARA  
KAMPUS BUKIT MERTAJAM  
2001

FINAL REPORT OF DIPLOMA PROJECT

FACULTY OF ELECTRICAL ENGINEERING



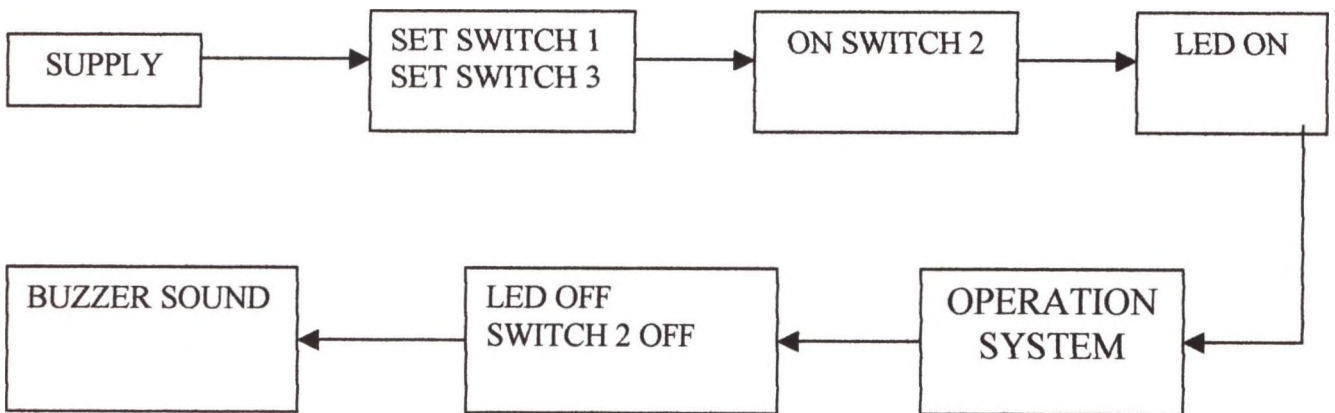
THE COOK TIMER

SUHAIMI YAHAYA

MOHD. MUSLIM MANSOR

## ABSTRACT

This project is quite useful for the housewife to reduce the working time in the kitchen. To use this cook timer, user must select the high or low range and the exact time that they need using the button at the single pole 8 ways switch. When the time is up the buzzer will be sound automatically. This cook timer uses 3 ICs such as 7555 timer, 4060 binary-counter and 4017 decade-counter. Cook simple is the simple timer with 16 possible setting which is the minimum set is a 2.5 minutes and the maximum is 40 minutes.



Basic operation of cook timer

## ACKNOWLEDGEMENT

The development of such a project requires the contributions of many people. We gratefully acknowledge the tremendous effort needed to make this project. Such a comprehensive work is impossible for one person and we thank all who contributed both directly and indirectly.

We especially grateful to **Puan Nooritawati Bin Md Tahir**, our supervisor, who had enough supported and teach me to get this project started. He strongly supported while we have problem.

We like to thankful to **Cik Taniza** our digital System Lecturer who hat teach us the operation of the Integrated Circuit (IC).

We also like to thankful to **our friends** that give your own idea to make sure that this report as good as we can do.

Finally, we own much to our **mother, father** and to our **family** because give our supported to finish our project.

May Allah bless them.

## CONTENTS

1.	Introduction	1
2.	Component For The Cook Timer	2
3.	Component Briefing	4
4.	Basic Block Diagram	26
5.	Circuit Explanation	27
6.	Operation	28
7.	Troubleshooting	29
8.	Cost Of Project Component	31
9.	Gantt Chart	33
10.	Recommendation	35
11.	Conclusion	36
12.	References and appendix	

## INTRODUCTION

Nowadays, many people in this world are depend to the electrical device to set up or done their work. One of the most famous electrical device is a timer. We can see that the timer in one of the component in the most electrical device. As example, we can see that our standing fan at our house also using the timer. The timer using in many electrical device to made easier to the consumer to use that particular electrical device.

In this project we want to introduce a simple Cook Timer. A cook timer is are the helper for the housewife or servant to made their job or duty become easier. Cook timer is usually to use in the micro oven. This device are use to reduce time work in the kitchen. We know that the career housewife don't have a lot of time to do their homework. So, using this timer we can set the time to cook a food. We always using a 30 to an hour to do a homework but using this timer we only need a 5 minutes or less to set the time for cook any food.

This timer is can use to cook the food that between range of 2 minutes to 45 minutes. The user only on the supply and set a time that they want to cook their food. After set a time the user can leave the food because the timer we will off after the set time is finish. So, the user don't have to worried about their food in the micro oven.

So, we hope the user a satisfies with our timer because in really can become one of the most famous helper for the housewife to settle their homework.