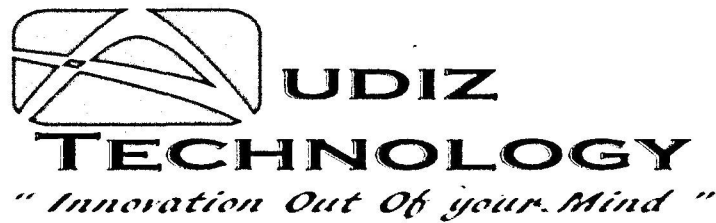


اَوْنُوْ سِيْتِيْ تِيْكَوْ لُوْ كِيْ مَارَا
UNIVERSITI
TEKNOLOGI
MARA

FACULTY OF ARCHITECTURE, PLANNING AND SURVEYING

ENT 600: TECHNOLOGY ENTREPRENEURSHIP



No	Name	Id number
1	HAZWAN MUHARAM	2014651874
2	HANI ZALIKHA BAHAROM	2014683566
3	KAZ FARZANA NUR ZAKARIAH	2014850954
4	MUHAMAD NUR SYAHIR SHATRI	2014832172
5	SITI NURUL NORFAZIERAH BT MOHAMAD TAUFIK	2014897884

Table of Contents

CHAPTER 1	2
1.0 PRODUCT DESCRIPTION.....	2
1.1 Introduction.....	2
1.2 Purpose of development.....	2
1.3 Product concept.....	2
1.4 Applications.....	2
CHAPTER 2	3
2.0 TECHNOLOGY DESCRIPTION.....	3
2.1 Overview of product prototype.....	3
CHAPTER 3	7
3.0 MARKET RESEARCH AND ANALYSIS.....	7
3.1 Target Market.....	7
3.2 Market Size.....	7
3.3 Competition and Competitive Edges.....	7
3.4 Marketing strategies.....	8
3.4.1 Product.....	8
3.4.2 Price.....	8
3.4.4 Limited Warranty.....	8
3.4.5 Promotion.....	8
CHAPTER 4	9
4.0 FINANCIAL PLAN.....	9
4.1 Start-up Cost.....	9
4.2 Estimated Cost per Unit.....	9
4.3 Estimated selling Price.....	10
CHAPTER 5	11
5.0 MANAGEMENT TEAM.....	11
5.1 Organization.....	11
6.0 PROJECT MILESTONE.....	13
6.1 Project Schedule.....	13
Chapter 7	14
7.0 CONCLUSION.....	14

CHAPTER 1

1.0 PRODUCT DESCRIPTION

1.1 Introduction

The product, Audiz Smart Wallet is a wallet, that with sensor electromagnet to scan and record the amount of paper money and coins, that is connected to a mobile phone applications. It has GPS function and speaker to activate alarm.

1.2 Purpose of development

Audiz Smart Wallet able to help users by recording the amount of money in the wallet through the application that connects with the user's smart phone and at the same time track misplace of wallet.

1.3 Product concept

Built-in sensor machine inside the wallet that detect differents types of money of cash.

1.4 Applications

The Audiz Smart Wallet is functional with the "Audiz Tech" on the apps store for iphone or play store for the android phones which the user needs to download according to their smart phone type.

1.5 Novelty

1. Audiz Tech App

The Audiz app lets the users to check money flow (in and out) data (location,time, date) and in case the wallet is missing it can be track down using this app.

2. Smart Alarm

Work as an alert tools to notify the users when their wallet is misplaced.

CHAPTER 2

2.0 TECHNOLOGY DESCRIPTION

2.1 Overview of product prototype

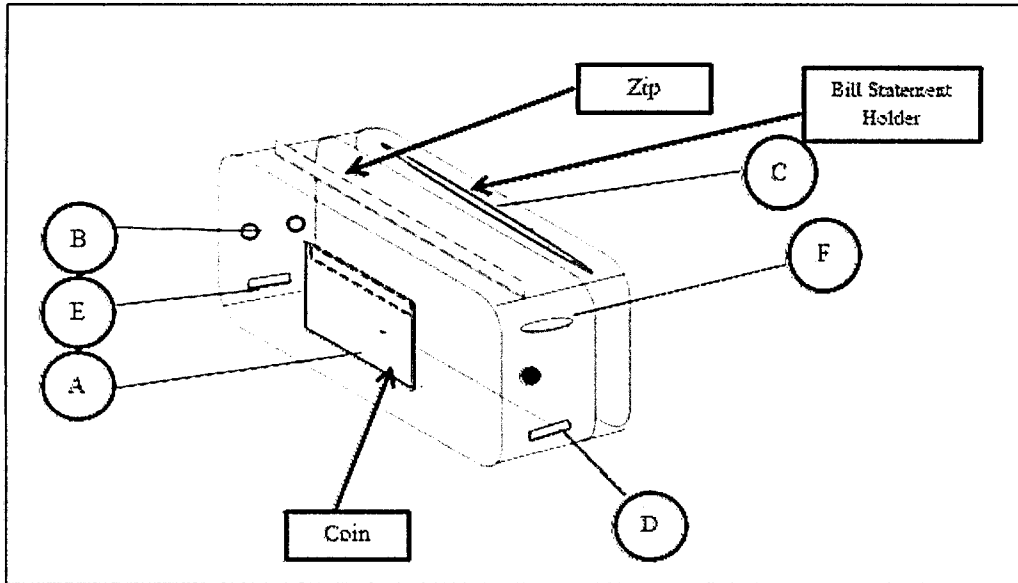


Figure 1: Wallet prototype

Label	Device
A	Coin sensor
B	Money Detector
C	Rechargeable lithium battery
D	Bluetooth
E	GPS
F	Speaker

2.2 Wallet

Description

The Audiz Smart Wallet designed for unisex users. It contains two compartments. One for the rechargeable battery and another one for money.

Specification

Material : Microfiber PU leather
 Thickness : 5cm
 Dimension : 20cm x 10 cm

Target Supplier

Winiw International Co., Ltd

<http://www.microfiberleather.com/microfiber/60->

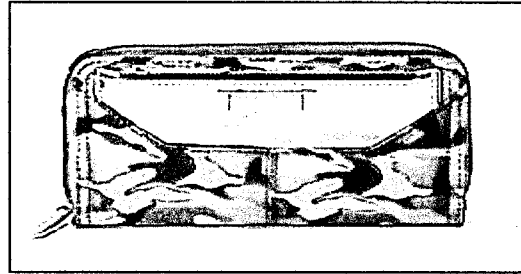


Figure 2 : Wallet

2.3 (A) Electromagnetic & (B) Money Sensor

Description

Its to detect the thickness and the diameter of the coins and the value of paper money.

Specification

Size : 10 mm x 10 mm

Target Supplier

Guangzhou jia er yi electronic technology co.
 Ltd

<https://garry.en.alibaba.com/productlist.html>

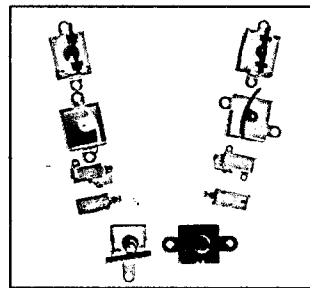


Figure 3 : Electromagnetic Coin Detector

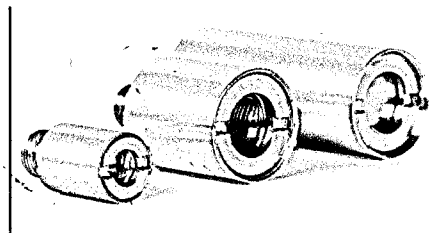


Figure 4 : Money Sensor