



**MARA UNIVERSITY OF TECHNOLOGY
BUKIT MERTAJAM BRANCHES.**

**PROJECT II
KEU 380**

COLOUR SENSOR

SUBMITTED BY:

**MUNADHIL BIN HASSAN
97034549
KE 11**

**WAN MOHD ZABIDI BIN WAN MUDA
97035426
KE 11**

SUPERVISOR:

ENCIK MURAD BIN ABD. MAJID

ABSTRACT

Colour sensor is a simple circuit which is use to sense light colour of the object. This circuit used a simple electronic devices such as Integrated Circuit, Light sensor (LDR) and L E D. The function of the devices used in the circuit will be explain detailed in this project report. This circuit need to put any coloured light in front of the gadget. The gadget will detect the light colour that fall on the gadget and this circuit will determine that colour. One of the LED will be on. This circuit will detected eight colour (red, green, blue, magenta, cyan, yellow, black and white). If the primary colour that determine, only one of the LDR will triggered and the other two LDR untriggered, therefore the triggered LDR will become logic 1 to indicate which colour it is. When secondary coloured that detemine, two of the LDR will get triggered and the gate out put corresponding to these will become logic one and indicate which colour it is.

ACKNOWLEDGEMENT

Alhamdulillah RabbiAa'lamin, Solawat and Salam to the greatest Prophet, Muhammad s.a.w. and to all his generations and also to his good companions.

Thanks very much and a big of thanks to ALLAH S.W.T. the GOD, ONE AND ONLY and THE ALMIGHTY (AR-RAHMAN and AR-RAHIM) I can finish this project report for subject 'KEU 380' (Project II).

We want to thank to our supervisor, *Mr. Murad bin Abd. Majid* because of his co-operation in teaching and advise us how to complete our project II and this project report. We will never forget his good service.

We also want to thank to *Mrs. Nooritawati bt. Md. Tahir*, Coordinator of Electrical Engineering Department and *Mr Ahmad bin Ismail*, senior Lecturer in Electronic, because of their help, guide and co-operation to us to finish our project. We are very appreciate with their good service.

Thank you very much to all.

Especially from,



MUNADHIL B. HASSAN
97034549
Diploma in Electrical Engineering (Electronic)
MARA University of Technology



WAN MOHD ZABIDI B. WAN MUDA
97035426
Diploma in Electrical Engineering (Electronic)
MARA University of Technology

CONTENT	PAGE
ABSTRACT	i
ACKNOWLEDGEMENT	ii
INTRODUCTION	1
THEORITICAL	3
OPERATION OF THE CIRCUIT	11
PROBLEM IDENTIFICATION	12
SIMULATION RESULT	13
THE COST OF PROJECT	18
TROUBLESHOOTING	20
CONCLUSION	21
REFERENCES	22
APPENDICES	23

1. INTRODUCTION

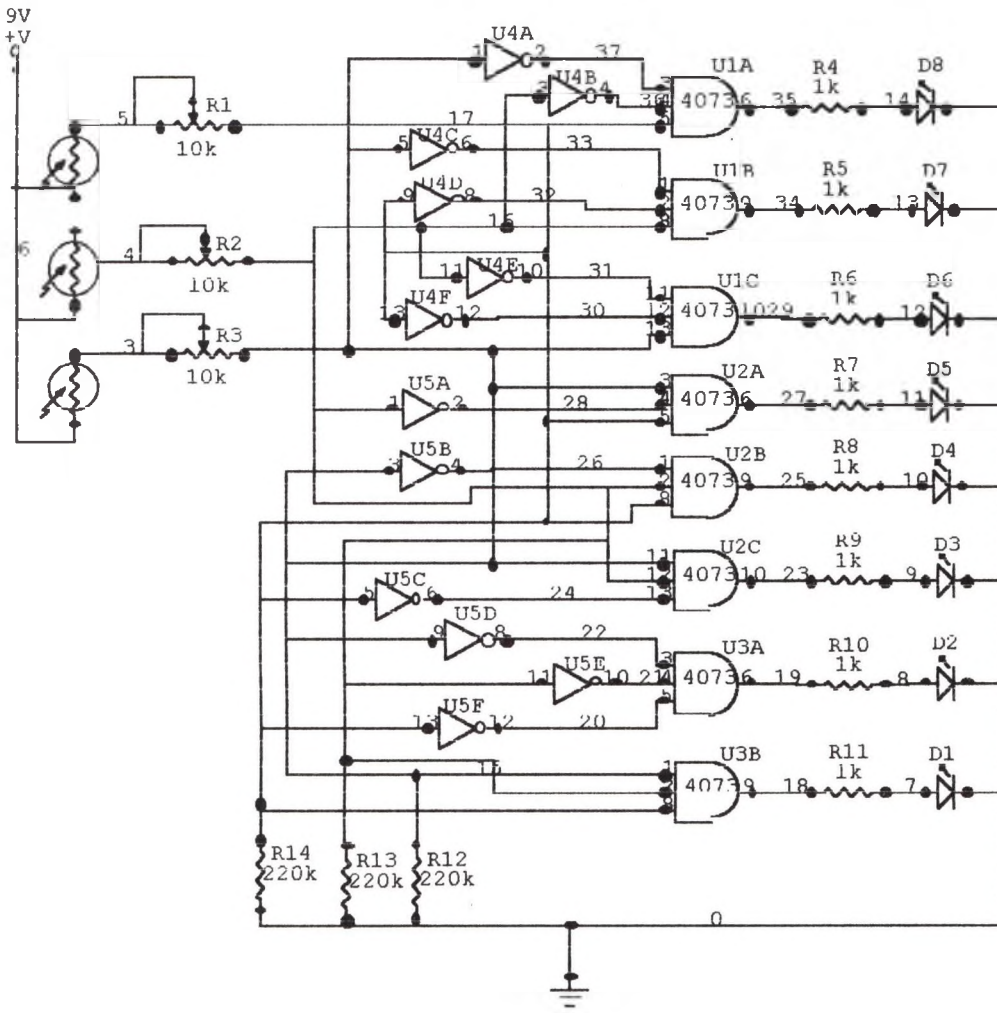


Figure 1: Color Sensor Circuit.